

CAM-571N

Water-proof Junction Box



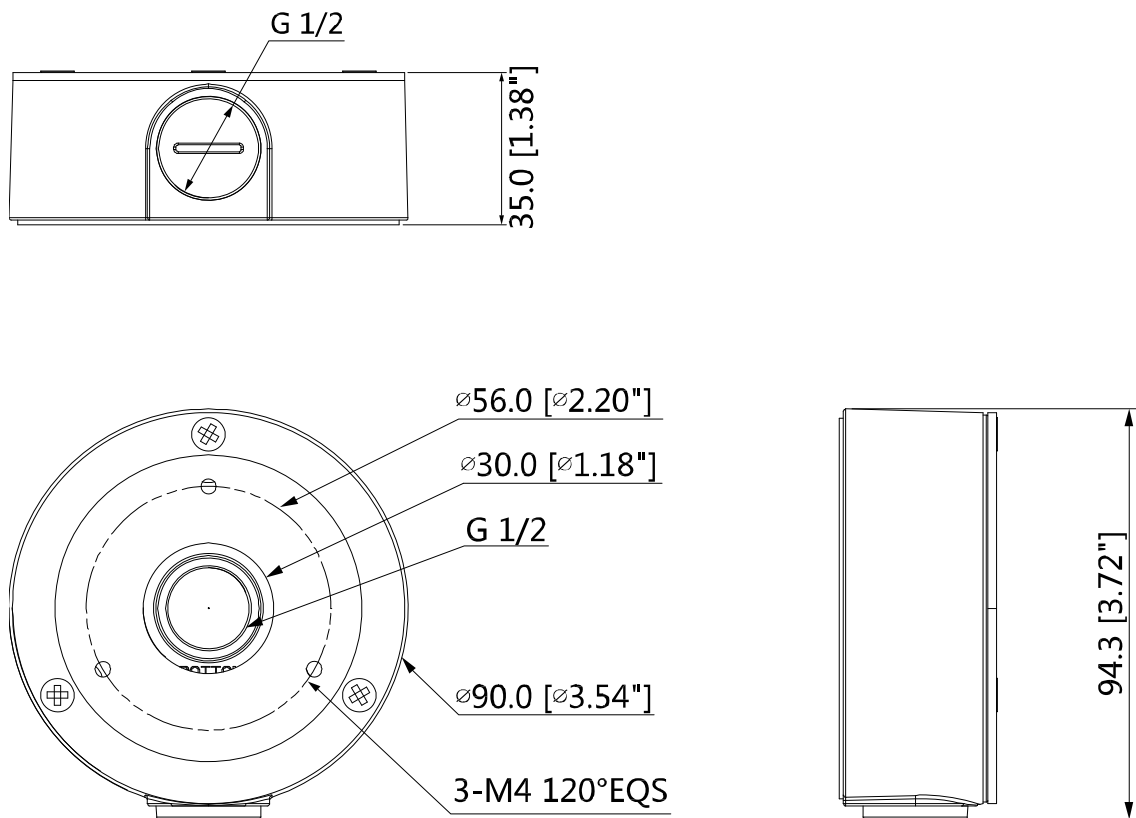
Features

- Aesthetic design
- Material: aluminum & SECC
- Water-proof junction box

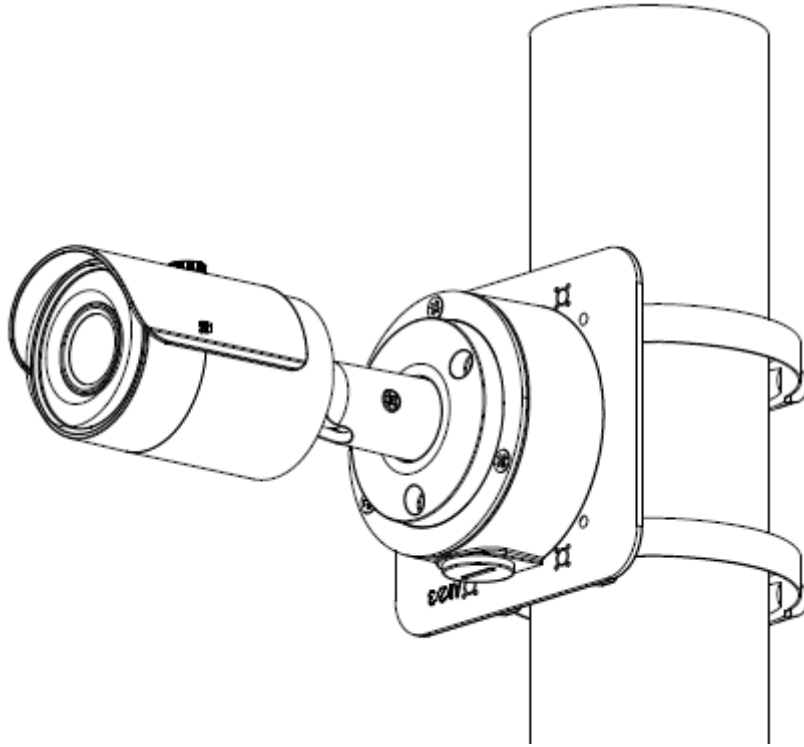
Technical Specifications

Model	CAM-571N
General	
Material	Aluminum & SECC
Dimension	Φ90.0mmx35.0mm (Φ3.54"x1.38")
Inch Thread	M20(G1/2")
Load Bearing	1.0kg(2.2lb)
Weight	0.26kg(0.57lb)
Color	White
Operating Temperature	-40°C~+60°C(-40°F~+140°F)
Humidity	0~90% RH

Dimensions (mm/inch)



Application



Package Information

- Water-proof junction box *1
- M4x10 screw *3
- ST4x25 screw *3
- Plastic anchor *3
- Water-proof joint *1
- Wrench *1